

4x16 AWG ITC/PLTC/AWM 2586 105C 600V

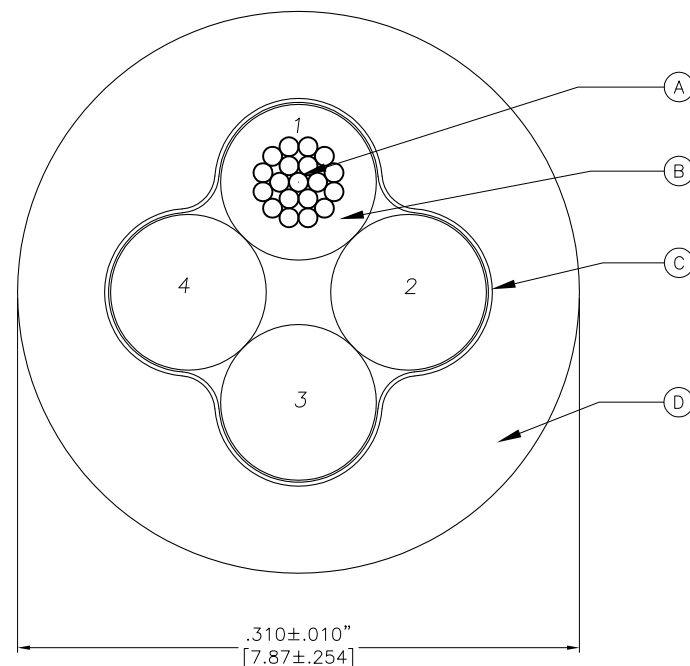
SPECIFICATIONS

- A 16 AWG 19x.0117" UNILAY TINNED COPPER
- B PVC INSULATION
- C PAPER SEPARATOR
- D PVC JACKET
JACKET COLOR: RED
CABLE IS RoHS COMPLIANT, CE

CONDUCTOR COLORS

- 1 = ORANGE
- 2 = RED
- 3 = BLUE
- 4 = BROWN

TYPE E46



MECHANICAL REQUIREMENTS

STATIC: 5x CABLE O.D.

FLEX NON-SHIELDED: 10x CABLE O.D.


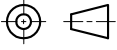
NOTES:

1. BLACK INK

E-STOP TYPE E46 P/N 101550925 16 AWG/4 (UL) ITC 105C UL# SUNLIGHT RESISTANT OR PLTC 105C -40C OIL RES I & II OR AWM 105C 600V OR CSA CMX OUTDOOR-CMG CSA# 105C OR CSA AWM I/II A/B 105C 600V FT4 CE SUPPLIER LOT CODE (WHEN APPLICABLE) MFG DATE CODE (EXAMPLE 00108 (DAY & YEAR))

2. c(UL) IS ACCEPTABLE IN PLACE OF ANY/ALL CSA MARKINGS

NOTE: CONDUCTOR ROTATION MAY BE INVERTED FROM VIEW SHOWN **SOURCE DRAWING - FOR REFERENCE ONLY**

RELATED DOCUMENTS		3RD ANGLE PROJECTION		THIS DRAWING IS CONFIDENTIAL AND THE PROPERTY OF TURCK INC. USE OF THIS DOCUMENT WITHOUT WRITTEN PERMISSION IS PROHIBITED.		 <p>3000 CAMPUS DRIVE MINNEAPOLIS, MN 55441 1-800-544-7769 (763) 553-7300 (763) 553-0708 fax www.turck.us</p>			
1.	2.	3.	4.		DRFT	RDS	DATE 12/14/11	DESCRIPTION CAB,7.87,RED,PVC,4X16,ITC,E-STOP	
MATERIAL SEE SPECIFICATIONS					APVD	S.F.	SCALE NONE		
FINISH SEE SPECIFICATIONS				ALL DIMENSIONS DISPLAYED ON THIS DRAWING ARE FOR REFERENCE ONLY CONTACT TURCK FOR MORE INFORMATION	UNIT OF MEASUREMENT INCH [MILLIMETER]			IDENTIFICATION NO. 101550925 (SOURCE)	REV E
E	ADD "CE" MARK TO LEGEND AND COMPLIANCE	RDS	07/27/17		61502	DO NOT SCALE THIS DRAWING			FILE: 101550925
REV	DESCRIPTION	BY	DATE	ECO NO.					